

# S-24 | SN-24



Mid-America Series

2 LAYERS OR 1 LAYER  
STEEL PAN DOOR

DEEP GROOVES  
THICKNESS 2"

POLYSTYRENE + VINYL BACKING (R-5.4) OR NON-INSULATED



12' x 14', White doors

## FEATURES AND BENEFITS

### A DEEP-GROOVED STEEL WALL

- Providing more **strength** and **additional bending resistance**, our sections are made with 1/2" deep and 2" wide horizontal grooves with alternating smaller grooves.

### B OPTIONAL POLYSTYRENE INSULATION

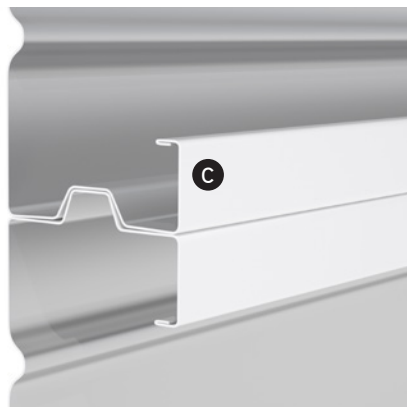
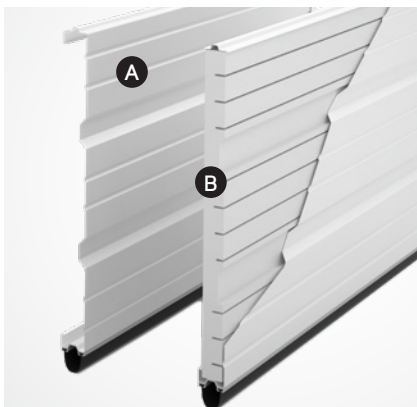
- For energy savings, polystyrene insulation protected with a vinyl backing is available.

### C SECTION PROFILE

- Rails are hemmed the entire length of the section for added **sturdiness** and **dependability**.

### D CENTER AND END STILES

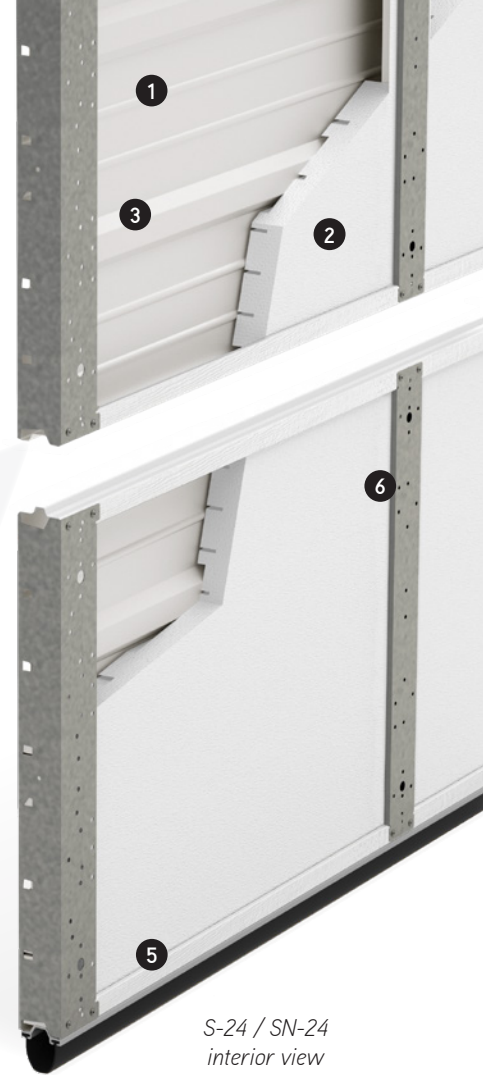
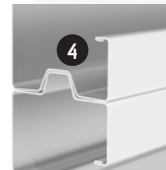
- With a fully hemmed edge for added **strength** and **safety**, all stiles are pre-punched with extruded holes for secure attachment of hinges and hardware components.



## PANEL CONSTRUCTION

- 1 **Hot-dipped galvanized steel wall**
  - Baked-on polyester paint. Can be repainted
  - Corrosion resistant
- 2 2" (50 mm) door
  - Optional CFC-free **polystyrene insulation covered with a vinyl backing** ensuring a thermal-resistance rating of **R-5.4** (RSI 1.0 or k=1.000 W/m<sup>2</sup>K) for S-24 and SN-24.
- 3 Sections are made with **½" (13 mm) deep and 2" (50 mm) wide grooves** providing more strength to the door.
- 4 **Tongue & groove joints** between sections that fit seamlessly.
- 5 **Bottom weatherstripping**  
**S-24 and SN-24:** continuous astragal made of U-shaped flexible vinyl and held in place by an aluminum retainer for the S-24 and by a vinyl retainer for the SN-24.
- 6 **Vertical center stiles**  
**S-24 and SN-24:** 18-gauge galvanized steel provides a rock solid base and the pre-punched holes help to affix hinges and struts. One edge is hemmed to add more strength to the section.

	S-24	SN-24
Exterior steel skin	24-gauge	25-gauge
Exterior side finish	Smooth	Smooth



S-24 / SN-24  
interior view

### Door weight:

	S-24	SN-24
Insulated	1.59 lb/ft <sup>2</sup> (7.8 kg/m <sup>2</sup> )	1.50 lb/ft <sup>2</sup> (7.3 kg/m <sup>2</sup> )
Non-insulated	1.44 lb/ft <sup>2</sup> (7.0 kg/m <sup>2</sup> )	1.34 lb/ft <sup>2</sup> (6.5 kg/m <sup>2</sup> )

## COLOR

### S-24 and SN-24



White

Color may slightly vary from images.

## SIZES

	S-24	SN-24
<b>Widths</b> In 1" (25 mm) increments	From 5' to 30'2" (1.2 m to 9.2 m)	From 5' to 20'2" (1.2 m to 6.1 m)
<b>Heights</b> In 3" (76 mm) increments	From 6' to 22' (1.8 m to 6.7 m)	From 6' to 14' (1.8 m to 4.3 m)

## WINDOWS

**S-24 and SN-24 Standard Windows**  
 24" x 6" (610 mm x 152 mm) or  
 25" x 13" (635 mm x 330 mm)  
 Single glass ⅜": Clear  
 Colors: White and Black

For more details, visit:  
[garaga.com/windows-s24](http://garaga.com/windows-s24)

## PANEL DESIGN



Deep Grooves  
 ½" deep, 2" wide

## HARDWARE

See details with your Garaga dealer.

## WARRANTY (LIMITED)

1 year against structural failures.



US Head Office  
 1 800 364-3667  
 Ponca City, OK

Canadian Head Office  
 1 800 464-2724  
 St-Georges, QC

YOUR  
 DISTRIBUTOR